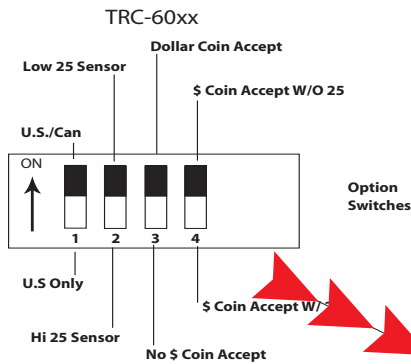


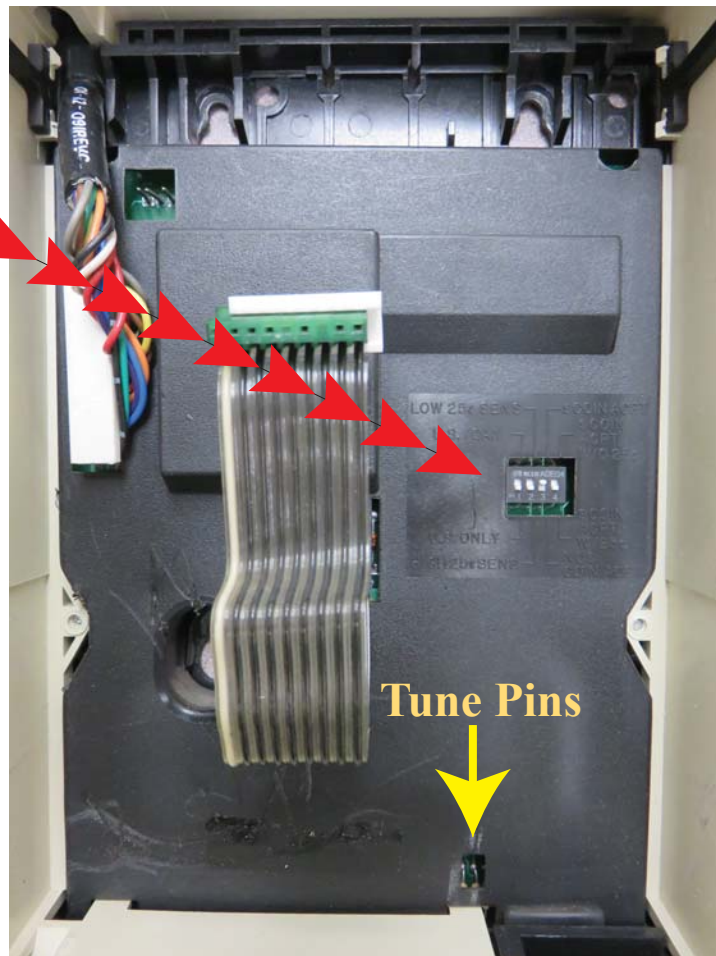
TRC6000-6010 Tuning Procedure

1. Power down the Changer
2. Do NOT unplug the Acceptor at anytime during the Tuning Process.
3. Set switches to the following: 1-3-4 ON---2 OFF
4. Open Acceptor and short out the 2 pins (lower right of control board)
5. While the pins are shorted power up the changer--un-short the pins--close acceptor.
6. Drop in US Coins:
 - Drop in 2 Nickels
 - Drop in 2 Dimes
 - Drop in 2 Quarters
 - Drop in 2 US Golden Dollars
7. The quarter and nickel tubes should have the lower sensors covered.

NEVER HOT PLUG---EQUIPMENT DAMAGE COULD OCCUR



Control Board



888.396.8363 - Atlanta
800.248.1712 - Orlando

www.vendorsrepair.com